

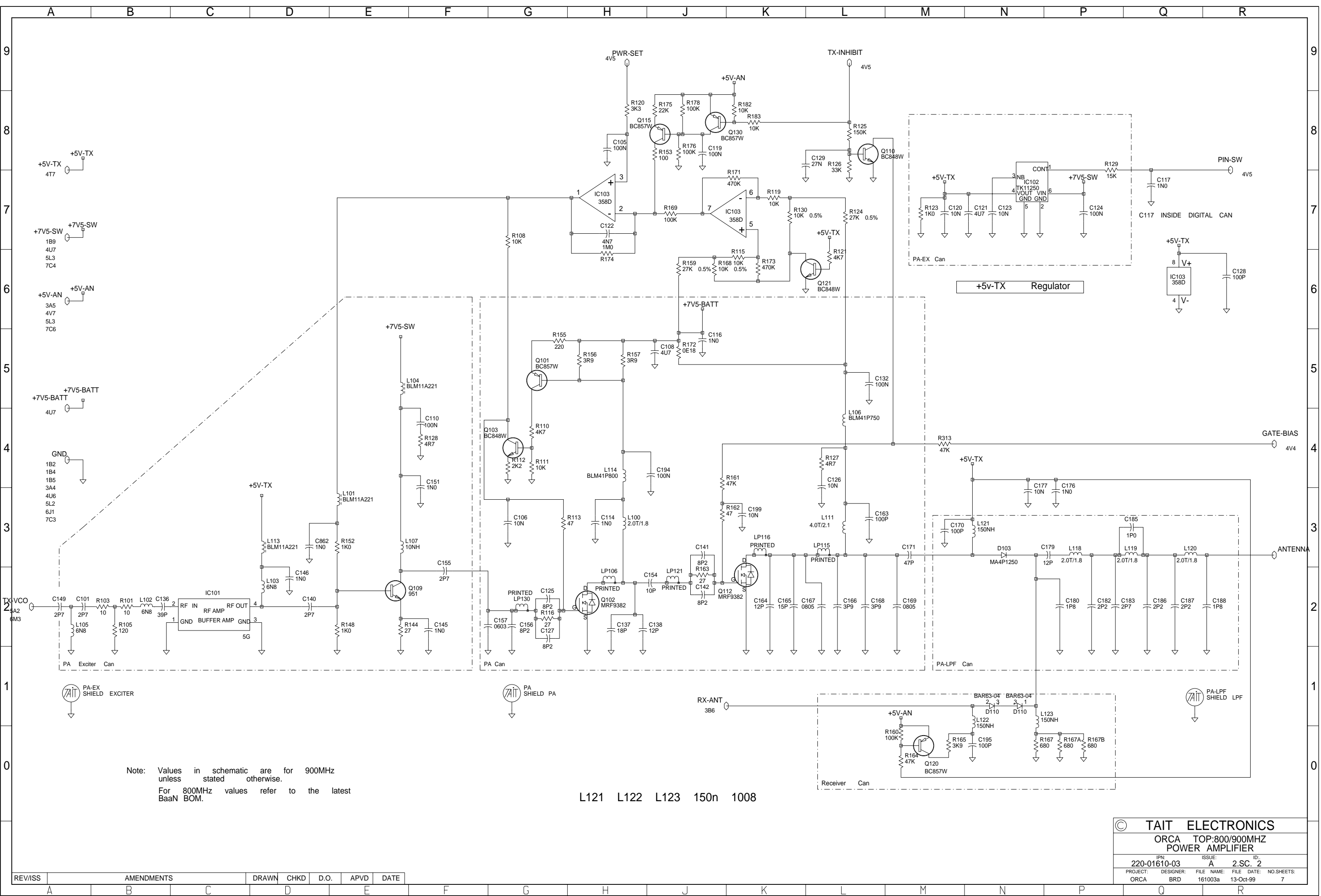
03A	CCN NO.1610/003	BRD			13/10-99
02D	REGENERATE PLC & PLA FILES	CCN	No.1610-002	TS	05-10-99
02C	4 SP.PINS NOW SMD, SEALS NONSMD	CCN	No.1610-001	TS	17-09-99
02B	REFRESHED SAFC957/860 & 0E18U	BRD			02/07/99
REV/ISS	AMENDMENTS	DRAWN	CHKD	D.O.	APVD DATE



© **TAIT ELECTRONICS**
ORCA TOP:800/900MHZ SYSTEM DIAGRAM

IPN: 220-01610-03
 ISSUE: A
 ID: 2.SC. 1

PROJECT: ORCA BRD
 DESIGNER: 161003a
 FILE NAME: 13-Oct-99
 FILE DATE: 13-Oct-99
 NO.SHEETS: 7

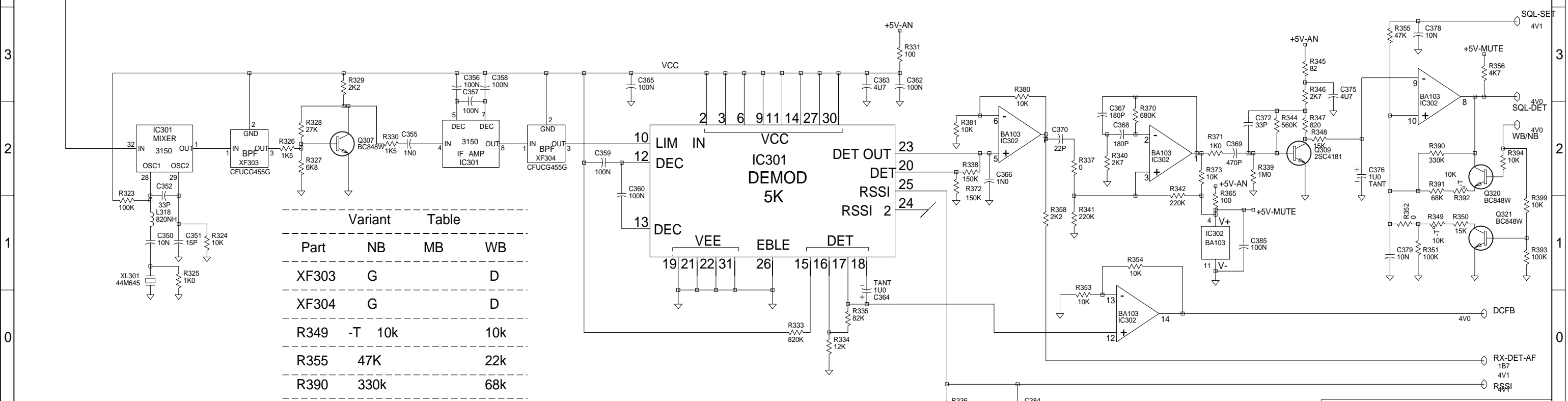
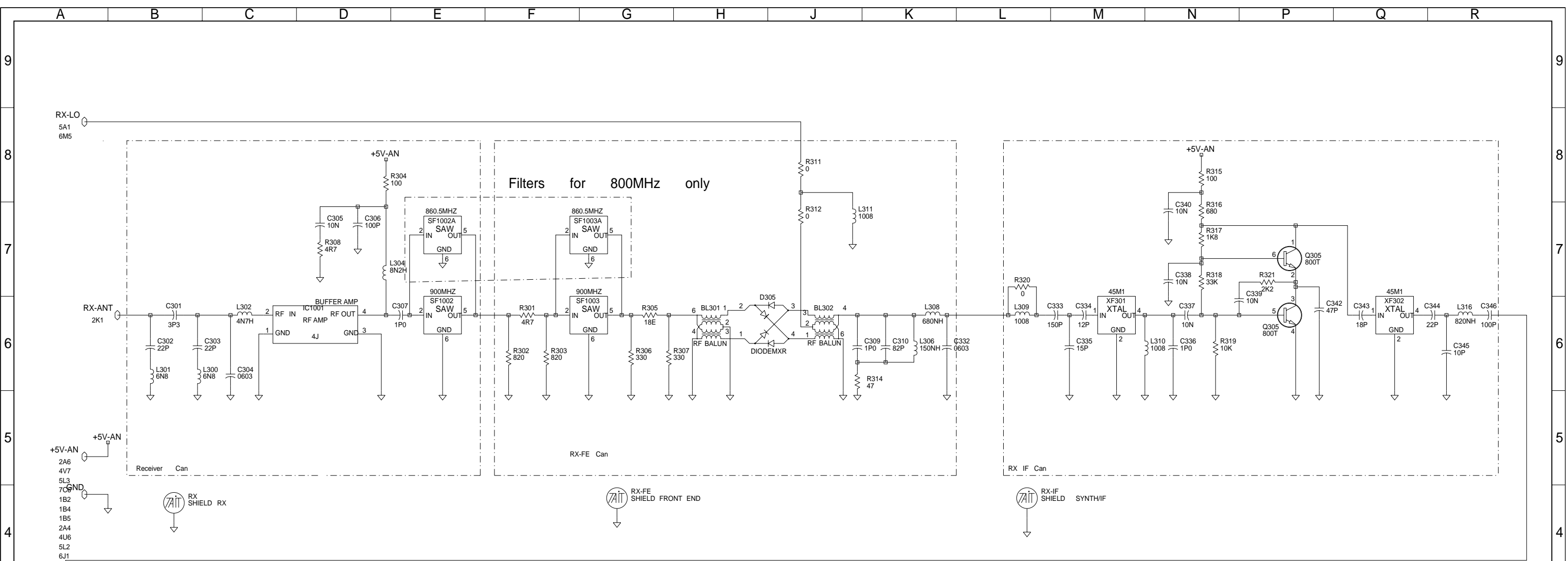


Note: Values in schematic are for 900MHz unless stated otherwise.
 For 800MHz values refer to the latest BaaN BOM.

L121 L122 L123 150n 1008

© TAIT ELECTRONICS	
ORCA TOP:800/900MHZ POWER AMPLIFIER	
IPN: 220-01610-03	ID: A 2.SC. 2
PROJECT: ORCA BRD	DESIGNER: 161003a
FILE NAME: 13-Oct-99	NO.SHEETS: 7

REV/ISS	AMENDMENTS	DRAWN	CHKD	D.O.	APVD	DATE
A						

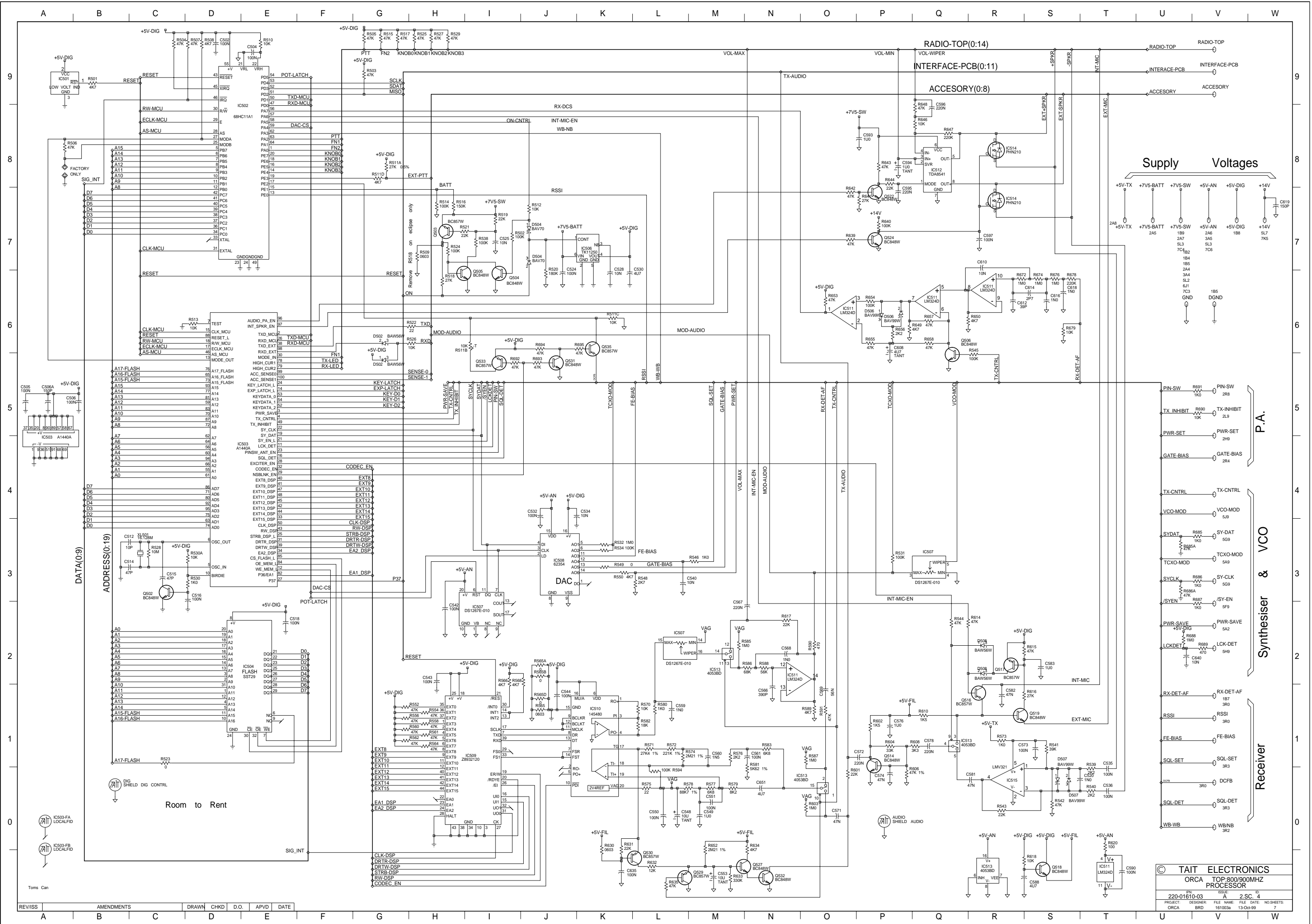


Variant Table

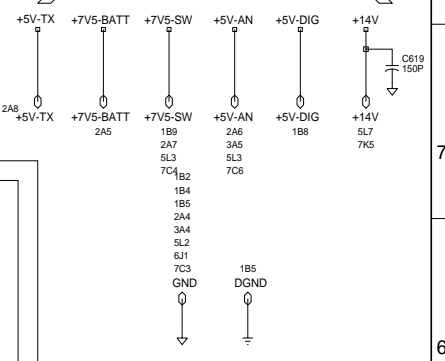
Part	NB	MB	WB
XF303	G		D
XF304	G		D
R349	-T 10k		10k
R355	47K		22k
R390	330k		68k
C370	27p		22P
C369	470p		330P

TAIT ELECTRONICS
 ORCA TOP:800/900MHZ RECEIVER
 IPN: 220-01610-03 ISSUE: A ID: 2.SC. 3
 PROJECT: ORCA BRD DESIGNER: FILE NAME: 161003a FILE DATE: 13-Oct-99 NO.SHEETS: 7

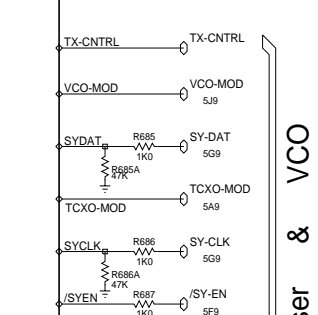
REV/ISS	AMENDMENTS	DRAWN	CHKD	D.O.	APVD	DATE
A						



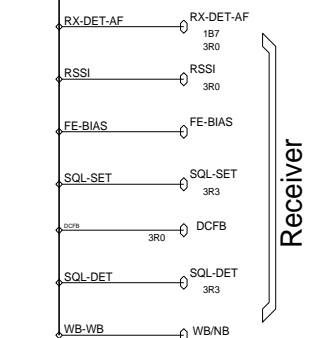
Supply Voltages



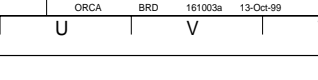
P.A.



Synthesiser & VCO



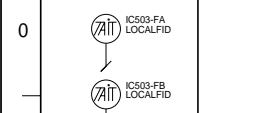
Receiver



© TAIT ELECTRONICS
 ORCA TOP-800/900MHz
 PROCESSOR
 220-01610-03
 ORCA BRD 161003A 13-Oct-99 7

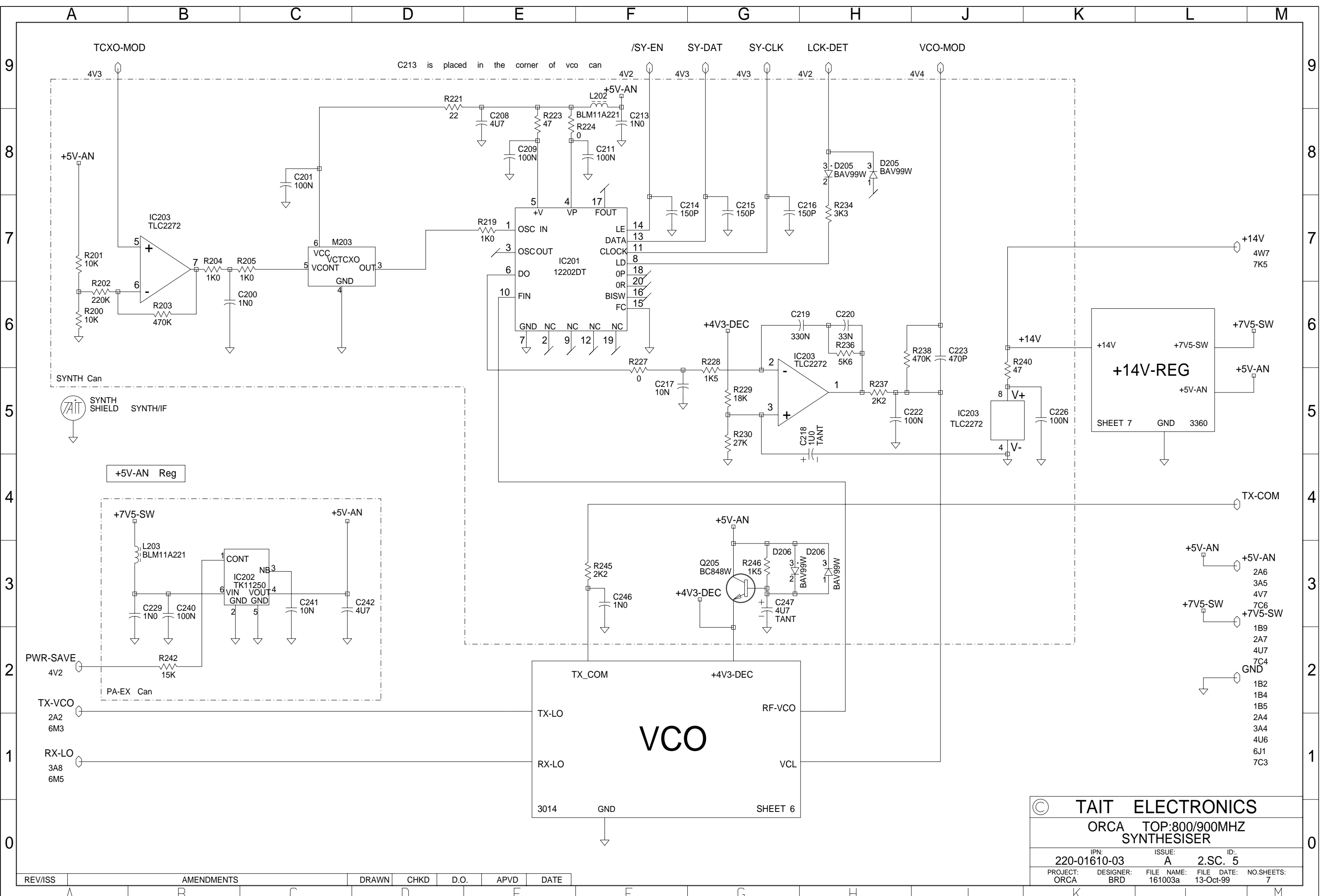
REV/ISS	AMENDMENTS	DRAWN	CHKD	D.O.	APVD	DATE
A						

Toms Can



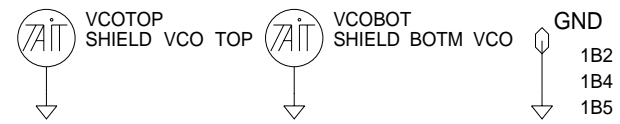
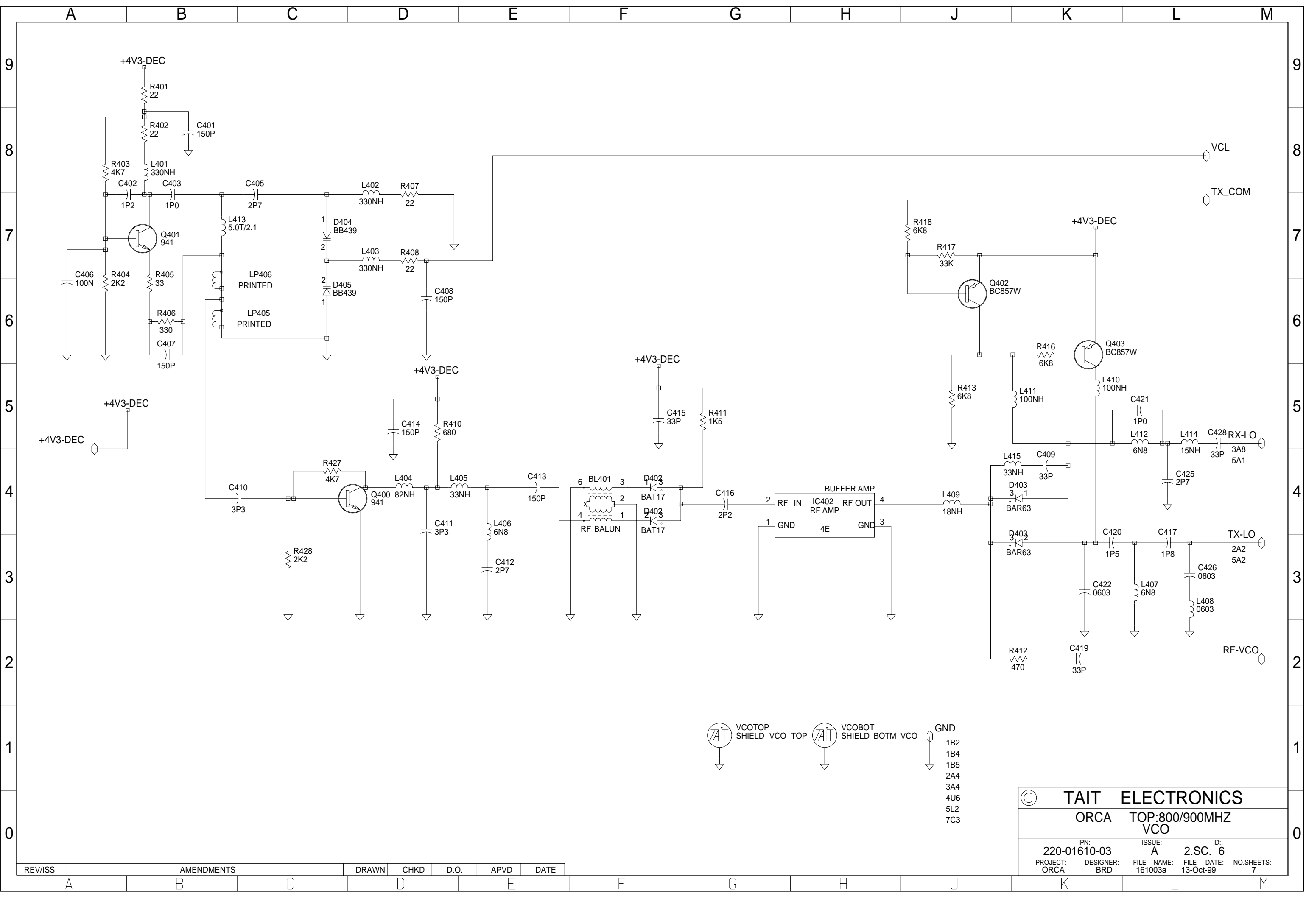
Room to Rent

BIG SHIELD DIG CONTRL



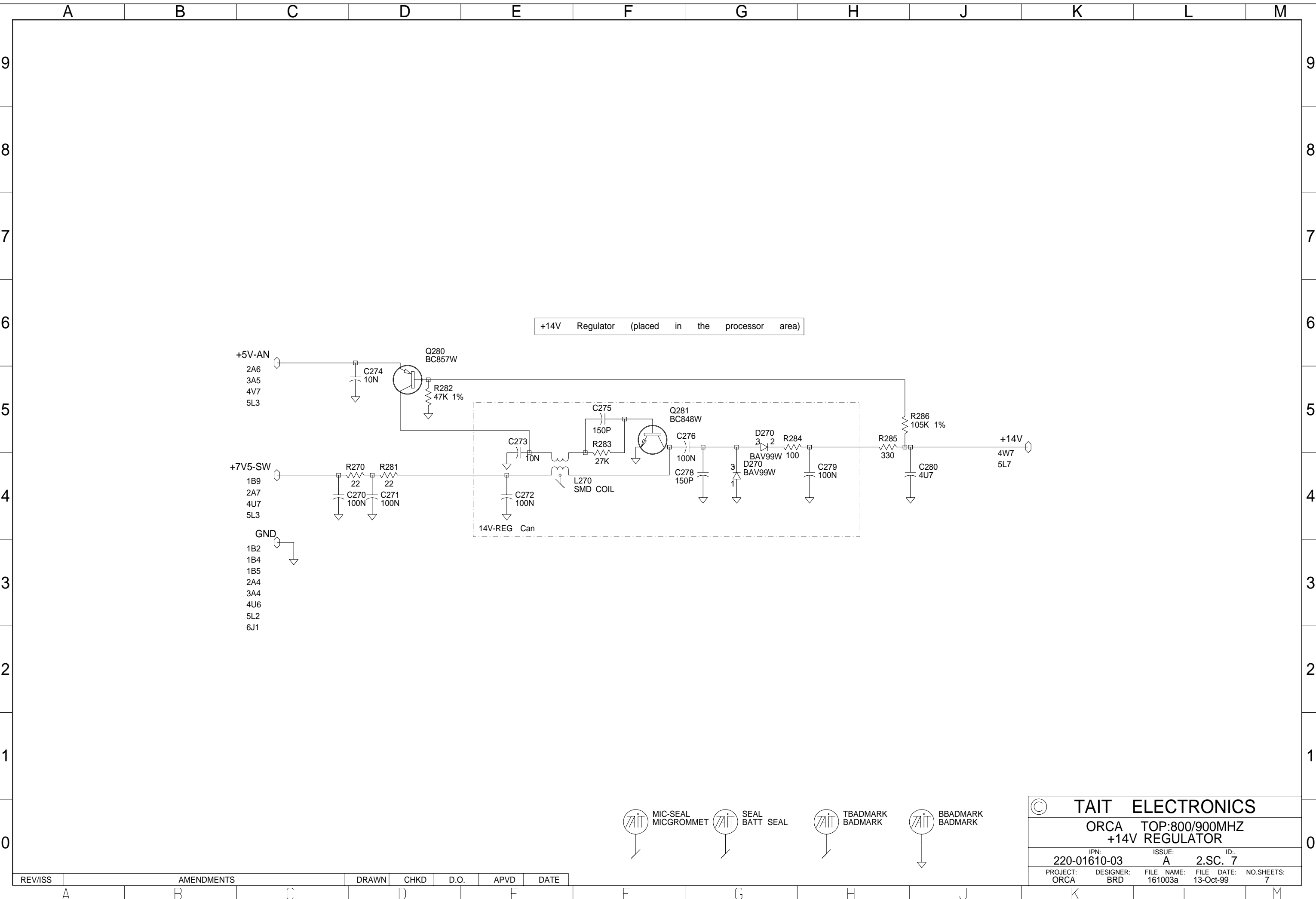
© TAIT ELECTRONICS
 ORCA TOP:800/900MHZ SYNTHESIZER
 IPN: 220-01610-03 ISSUE: A ID: 2.SC. 5
 PROJECT: ORCA DESIGNER: BRD FILE NAME: 161003a FILE DATE: 13-Oct-99 NO.SHEETS: 7





REV/ISS	AMENDMENTS	DRAWN	CHKD	D.O.	APVD	DATE



© TAIT ELECTRONICS				
ORCA TOP:800/900MHZ VCO				
IPN:	ISSUE:	ID:		
220-01610-03	A	2.SC. 6		
PROJECT:	DESIGNER:	FILE NAME:	FILE DATE:	NO.SHEETS:
ORCA	BRD	161003a	13-Oct-99	7

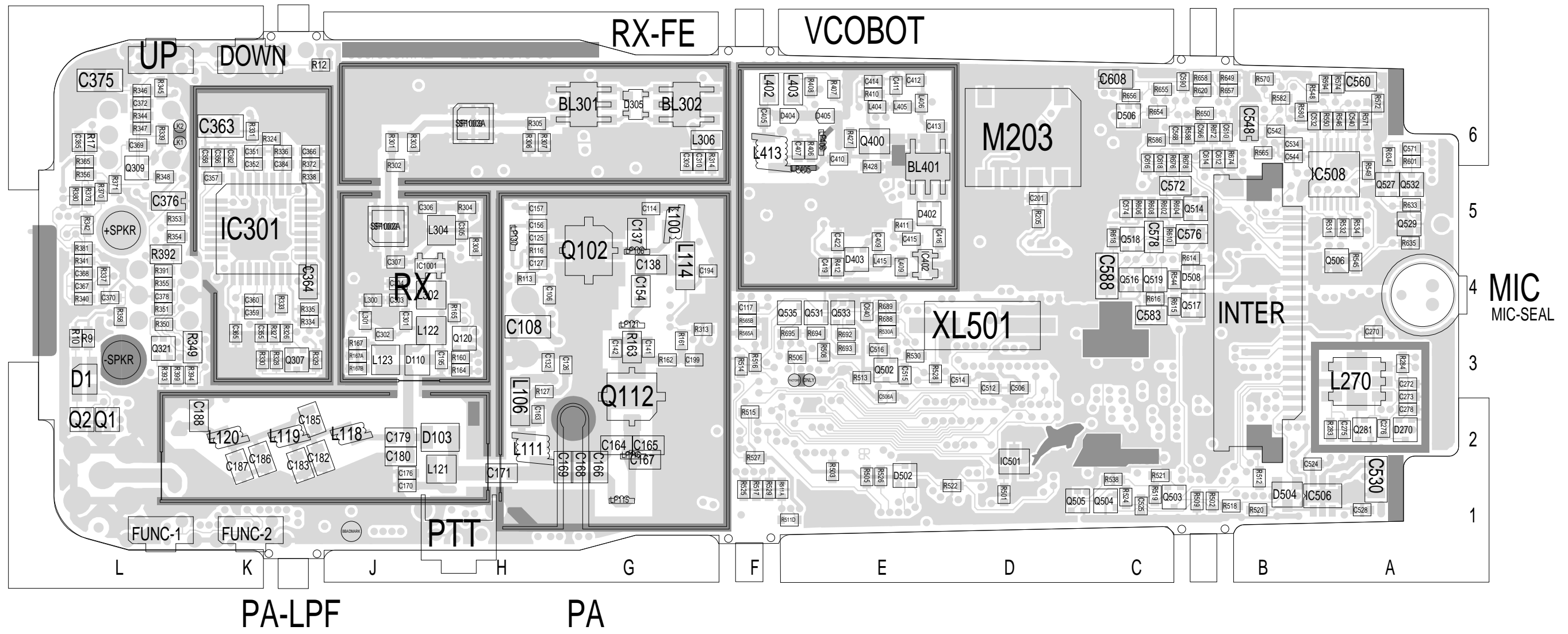
REV/ISS	AMENDMENTS	DRAWN	CHKD	D.O.	APVD	DATE



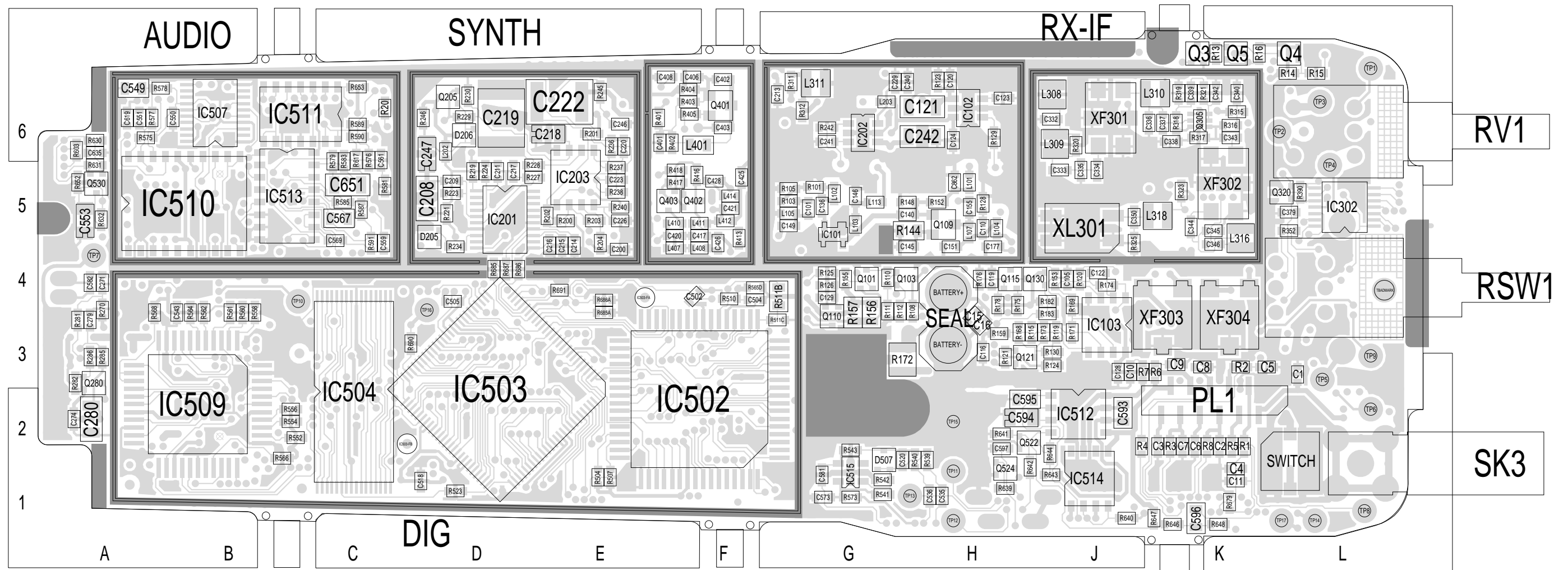
 MIC-SEAL MICGROMMET
  SEAL BATT SEAL
  TBADMARK BADMARK
  BBADMARK BADMARK

© TAIT ELECTRONICS				
ORCA TOP:800/900MHZ +14V REGULATOR				
IPN: 220-01610-03		ISSUE: A		ID: 2.SC. 7
PROJECT: ORCA	DESIGNER: BRD	FILE NAME: 161003a	FILE DATE: 13-Oct-99	NO.SHEETS: 7

REV/ISS	AMENDMENTS	DRAWN	CHKD	D.O.	APVD	DATE



TAIT ELECTRONICS IPN: 220-01610-03 ISS: -03 ID: 6.BA DATE: 13 Oct 1999
 800/900MHZ PCB LAYOUT - BOTTOM SIDE



TAIT ELECTRONICS IPN: 220-01610-03 ISS: -03 ID: 1.TA DATE: 13 Oct 1999
 800/900MHZ PCB LAYOUT - TOP SIDE